



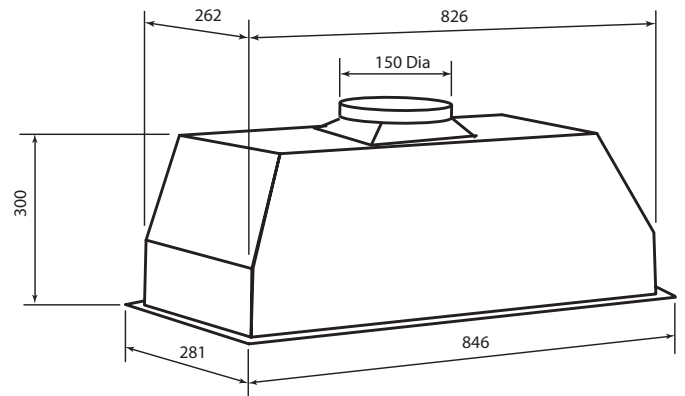
CK85UCF
85cm Stainless Steel
Under Cupboard Rangehood



Model :CK85UCF

Functions and features

- 85cm Under Cupboard rangehood
- 800 cubic meters per hour extraction
- 3 x LED low consumption lights
- 3 fan speeds
- 2 x PRO Stainless steel baffle filters
- Oil catchment system
- Electronic illuminated button control
- 2 year warranty
- Noise level 58dB



Please note:
Every effort has been made to ensure this information is correct. However, due to product make changes to products without prior notice. improvement Emilia Glem reserves the right to