



EMILIA



GLEM

# CK75UCF

## 75cm Undercupboard Rangehood



**Concealed design**  
**Low consumption LED lighting.**  
**Easy to clean aluminium mesh filter.**  
**Perfect for installation over 60-90cm cooktops.**

*Classic Series*

MAIN FEATURES	
Type	Under Cupboard Rangehood
Control	Button
Construction type	Stainless steel
Operation levels	3 speeds
Lighting	2 square LED lights 2W+2W
Filtration	Aluminium mesh filter
Maximum air extraction	700 cubic metres/hour
Recirculation Operation	NO
Ducted Operation	YES
Charcoal filter	NO
Noise level	58db
Voltage	240V
Frequency	50 Hz
Supply cord and plug	YES 1m length
Total power consumption	234W
Warranty	2 Years
Instruction book & installation guide	YES
Fittings	YES

### INSTALLATION NOTES

#### Installation

A suitably qualified installer is required. Check product dimensions before commencing installation.

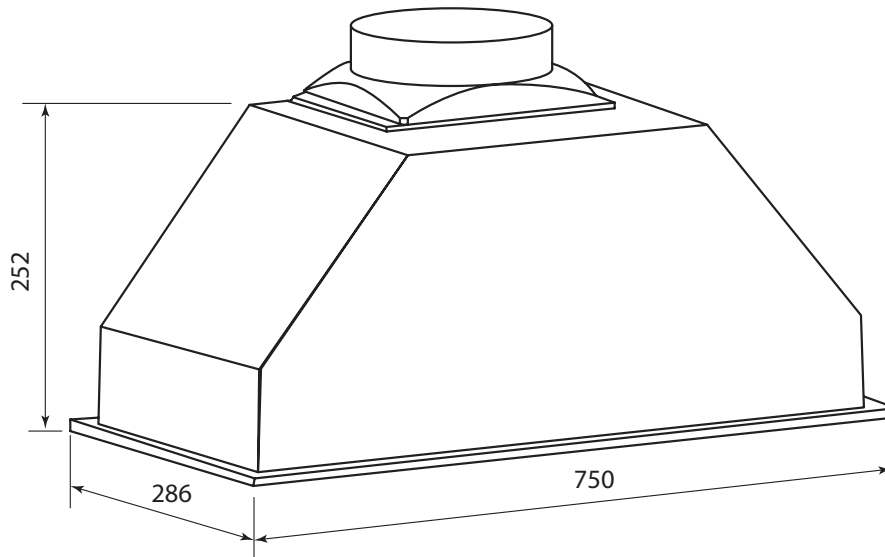
#### Electrical Connection

The rangehood has a 1 metre cord with a 10 amp plug fitted. This is a simple plug in connection.

#### 2 Year Warranty

A full nationwide 2 Year Warranty applies. Proof of purchase and proof of correct installation by a qualified installer is required for warranty service. Call Emilia Glem on 1 300 307 917 for details.

DIMENSIONS & WEIGHTS	
Unpacked Weight	11
Packed Weight	12
Packed Dimensions cm	31L x 80W x 32H



Please note:  
Every effort has been made to ensure this information is correct. However, due to product improvement Glem reserves the right to make changes to products without prior notice.

Glem Gas Australasia Pty. Ltd.  
www.glemgas.com.au