



EMILIA

INDUCTION HOB 60

Model: **EMIND64**

60cm 4 Zone Induction Hob

Functions and features

German made ceramic glass top

Stainless steel front safety frame

Touch controls

4 Cooking zones

590W x 520D

9 Stage cooking settings

Automatic pan sensor

Automatic safety switch off

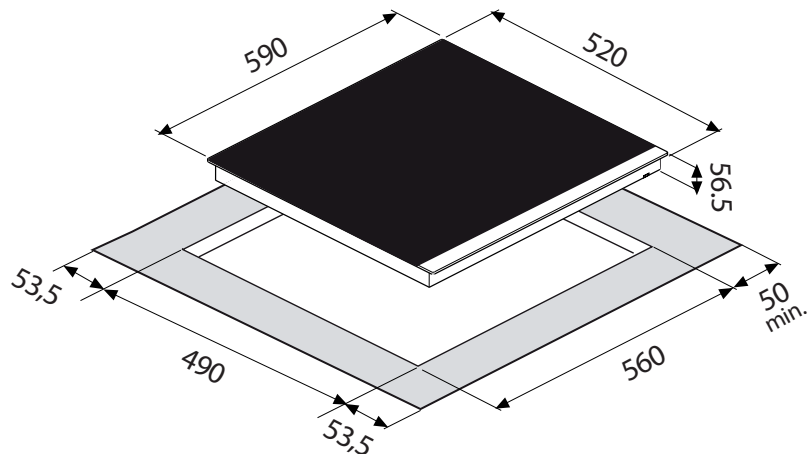
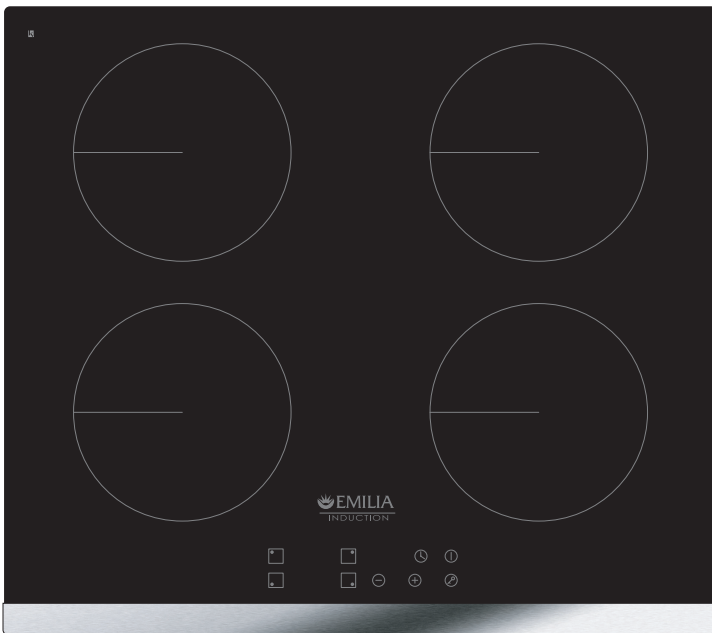
Residual heat indicators

Child lock

2 x 2000W zones - Front Right and Rear Left

2 x 1500W zones - Front Left & Rear Right

Total maximum power 7000W



Equipped with independent inductors all plates the Glem induction cooktop can be used simultaneously with an overall maximum power of 7000W.

The control panel is easy to use with each cooking zone provided with a timer that can be programmed up to 99 minutes. The timer switches the zone off at the end of the set time and produces a short sound to announce that the cooking cycle is complete.

COOKWARE SUITABILITY

Induction cooktops operate through the process of electromagnetic induction. A magnetic field induces the bottom of the pot and a large amount of thermal energy can be produced very efficiently and quickly.

The induction hob will only work when covered with a pan with a magnetic base. You can check your cookware by using a magnet, if the magnet sticks to the base then that pot is suitable.

Non magnetic pots such as aluminium, copper, glass, ceramic or stainless steel without a magnetic base are not suitable. It is also important that the pots you use have a flat bottom

Please note:

Every effort has been made to ensure this information is correct. However, due to product improvement Emilia Glem reserves the right to make changes to products without prior notice.

2 Year warranty

Glem Gas Australasia Pty. Ltd.
www.emiliaglem.com.au