

Hush

Off Board Rangehoods

EMHUSH90C 90cm Slim Line Canopy

Functions and features

1200 cubic metres per hour extraction

Ceiling cavity motor for silent operation

Low consumption LED lights x 3

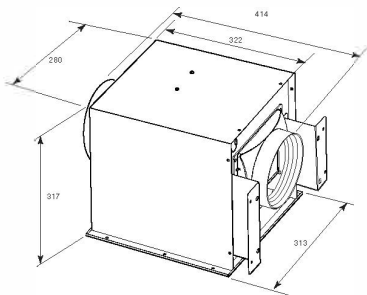
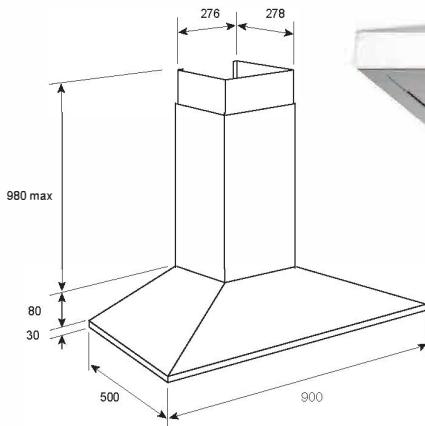
Outlet diameter 150 mm

3 Speed fan

3 dishwasher safe stainless steel filters

2 year warranty

Ready to go. Easy to install.



Mesh filter
option included

Full installation kit included
Including ducting. Duct tape and external vent not included.
2 Lengths of ducting 2 x 2.5 m lengths
Total Cable length motor unit to rangehood = 3.8 m