

4 ZONE COOKTOP

Four cooking zones give the flexibility for different pot sizes and heating power. Extendable front large zone.

FRONT STAINLESS STEEL FRAME

Protects the cooktop from any accidental contact from a pot or pan.

CHILD LOCK

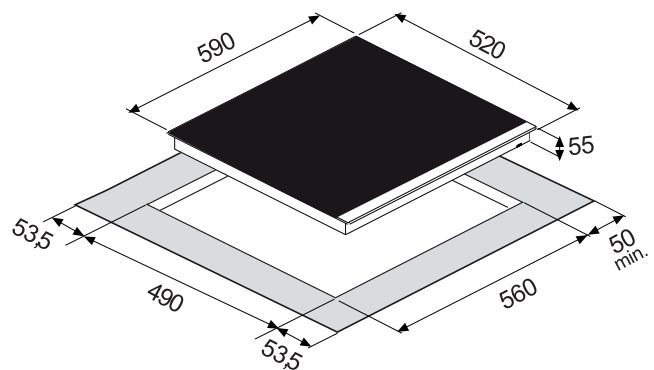
An important safety feature that prevents any accidental operation of the cooktop. Feel secure knowing that the cooktop is safe even when not being used.

COOKING TIMER

Have full control, set the timer to start or finish the cooking process.

TECHNICAL FEATURES

MAIN FEATURES	
Cooktop features	European made glass
Country of origin	China
Left front zone	1800W
Left rear zone	1200W
Right front zone	1200W
Right rear zone	1800W
Total max power consumption	6000W
Timer	99 minute
Power stage settings	9
Electrical Connection	Hard wired
Voltage	220-240V 50Hz
DESIGN	
Colour	Black Glass, Stainless Steel
Front stainless steel safety frame	YES
European ceramic glass	YES
Touch controls	Sensor touch
Easy use graphics	YES
ACCESSORIES	
Instruction manual	YES
SAFETY	
Child safety lock	YES
Auto off	YES
Residual heat indicator	YES
DIMENSIONS	
Product mm (WxDxH)	590 x 520 x 55
Cut out mm (WxD)	560 x 490
Carton size mm (WxDxH)	703 x 645 x 145
Cooktop weight	9 Kg
Package weight	10.7 Kg
WARRANTY	
2 Years Parts and Labour	In home service



Please note:

Every effort has been made to ensure this information is correct. However, due to product improvement Glem reserves the right to make changes to products without prior notice.

Glem Gas Australasia Pty. Ltd.

www.glemgas.com.au