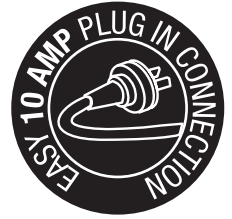




**Engineered in Italy
for Australia.**



Model: EF64MEI

60cm Stainless Steel Fan forced electric oven



TITANIUM ENAMEL - EASY TO CLEAN

Low porosity titanium enamel reduces dirt build up. The titanium enamel is resistant to the attack of acids and maintains its colour over time even after intensive use.

TRIPLE GLASS DOOR

Triple Glass ventilated door keeps surface temperatures down. Much more comfortable and safer.

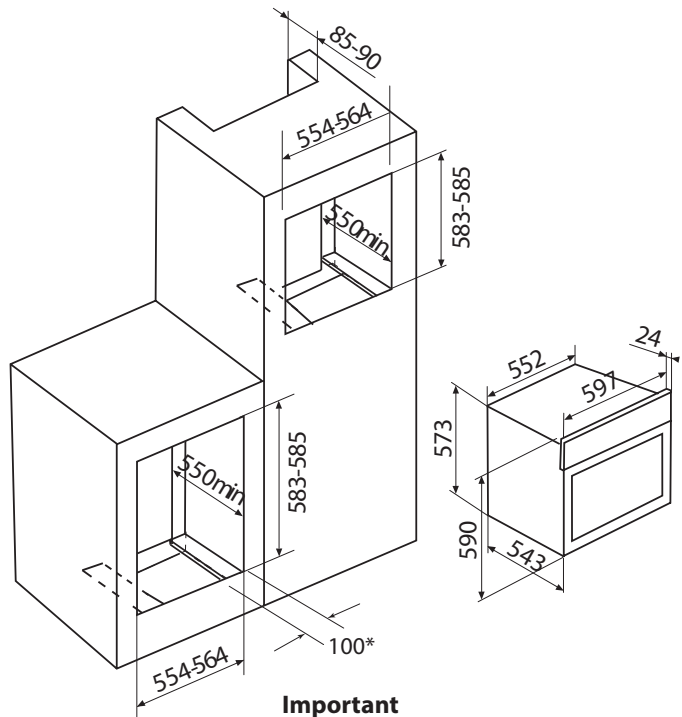
10 AMP PLUG IN CONNECTION

The consumption rate of 2320W allows the oven to be installed with a simple 10 amp plug in connection. This can avoid the high cost of rewiring some older kitchens.

CLOSED DOOR GRILLING

There is a safety switch that cuts power to the grill in the event of a flare up or over heating during cooking. This allows the grill to operate with the door closed keeping odours and residues out of the kitchen.

FUNCTIONS	
Fan forced - Fan assisted grill - Grill - Oven light	
Timer	60 Minute timer
Maximum Temperature	250 C
Max Consumption	2320W
Electrical Connection	Easy 10 amp plug in
Voltage/frequency	240V 50Hz
DESIGN	
Colour	Black glass, st. steel
Oven Light	YES
Inner Door	Full glass - removable
Door Handle	Anodised aluminium
Door Construction	Triple glass ventilated
ACCESSORIES	
Side Racks	2
Wire shelves	2
Grill Tray & insert	YES
Instruction Manual	YES
OVEN FEATURES	
Finishing	Titanium easy clean
Gross oven volume	69 litres
Internal Dimensions	450W x 340H x 450D
OVEN DOOR	
Full glass inner door	YES
Triple glass door	YES
Removable inner glass	YES
DIMENSIONS & WEIGHTS	
Unpacked Weight	39Kg
Packed Weight	45Kg
Packed Dimensions	640W x 690H x 650D
Unpacked Dimensions	597W x 590H x 543D



Important

*100mm WIDE SUPPORT EACH SIDE WITH 50mm CLEARANCE UNDERNEATH

www.emiliaappliances.com.au

Electrical Connection - The oven has a 1.2M cord with a 10 amp plug fitted. This is a simple plug in connection. The oven should be installed on a unique circuit, not sharing the circuit with any other appliances.

2 Year Warranty - A full nationwide 2 Year Warranty applies. Proof of purchase and proof of correct installation by a licensed installer is required for warranty service. Call Emilia Glem on 1 300 307 917 for details.

Please note: Every effort has been made to ensure this information is correct. However, due to product improvement Glem Gas reserves the right to make changes to products without prior notice.