

# EMF65EN

## 60cm Black Electric Fan Forced Oven



### STYLISH BLACK GLASS DESIGN

Easy to clean beautiful full gloss black glass exterior. Complemented with anodised black door handle and metal control knobs.

### 5 COOKING FUNCTIONS

Equipped with efficient fan forced cooking, closed door grilling with or without fan assistance, defrost and an oven light to illuminate the cooking.

### 10 AMP PLUG IN CONNECTION

This oven plugs in like a toaster. So much easier to install, replace or service. There is no compromise in performance and energy costs remain lower with less electricity being consumed.

### TRIPLE GLASS DOOR

Triple Glass ventilated door keeps surface temperatures down. Much more comfortable and safer for the user. The large window provides a clear view of the cooking process.

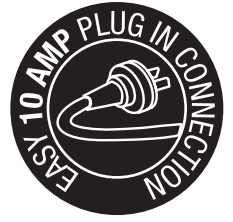
## TECHNICAL FEATURES

| MAIN FEATURES               |                               |
|-----------------------------|-------------------------------|
| Gross Volume                | 67 Litres                     |
| Usable volume               | 57 Litres                     |
| Side Racks                  | 5 Shelf Levels                |
| Control                     | Knob Controls                 |
| Cooling Fan                 | Automatic                     |
| <b>Timer</b>                | <b>Programmable digital</b>   |
| Maximum Temperature         | 260 C                         |
| Total Max Power Consumption | 2300W                         |
| Electrical Connection       | 10amp Plug in                 |
| Removable door              | For cleaning                  |
| Oven Internal Finish        | Black porcelain enamel        |
| Power cord length           | 1.2 metre                     |
| 10amp Plug                  | Fitted                        |
| DESIGN FEATURES             |                               |
| Colour                      | Black Glass, Stainless        |
| Oven Light                  | Halogen                       |
| Inner Door                  | Full Glass - Removable        |
| Handle                      | Anodized aluminium            |
| Door Construction           | Triple Glass Ventiladed       |
| Control knobs               | Anodized aluminium            |
| INCLUDED ACCESSORIES        |                               |
| Side Racks                  | 2 - snap out for cleaning     |
| Wire Shelves                | 2 - with 5 positions          |
| Grill Tray                  | 1 - porcelain enamel          |
| Insert Rack for Grill Tray  | 1 - holds food off grill tray |
| Installation kit            | Screws and fittings           |
| Instruction Manual          | Includes installation guide   |

| OVEN CAVITY                 |                        |
|-----------------------------|------------------------|
| Rear fan                    | Fan forced function    |
| Side Chromed Racks          | Removable              |
| Cooking Elements            | Grill, rear circular   |
| Internal Oven Dimensions mm | 470W x 340H x 420D     |
| OVEN DOOR                   |                        |
| Full glass inner door       | Easily removed         |
| Triple glass door           | Insulates oven         |
| Removable inner glass       | Allows cleaning        |
| OVEN COOKING FUNCTIONS      |                        |
| Cooling fan - Automatic     | Surfaces stay cool     |
| Thermostat control          | Accurate temp control  |
| 1. Fan Forced               | Fast, efficient        |
| 2. Fan assisted Grill       | Door closed efficiency |
| 3. Static Grill             | Door closed efficiency |
| 4. Defrost                  | Speeds defrosting      |
| 5. Oven light               | Lights the cavity      |
| DIMENSIONS & WEIGHTS        |                        |
| Unpacked Weight             | 35Kg                   |
| Packed Weight               | 40Kg                   |
| Packed Dimensions           | 660W x 650H x 650D     |
| Unpacked Dimensions         | 595W x 595H x 570D     |
| WARRANTY                    |                        |
| 3 Years Parts and Labour    | In home service        |
| BAR CODE                    |                        |
| 0793618352462               |                        |

# EMF65EN

## 60cm Black Electric Fan Forced Oven



### INSTALLATION NOTES

#### Overall dimensions

This model oven uses the conventional dimensions of the majority of 60cm built in ovens making it an ideal oven to use for replacement purposes. In most cases the oven will fit into existing cupboard spaces without need for modification to the kitchen.

#### Electrical Connection

The oven has a 1.2M cord with a 10 amp plug fitted. This is a simple plug in connection. The oven should be installed with a unique circuit, not sharing the connection with other appliances. It is an important requirement.

#### 3 Year Warranty

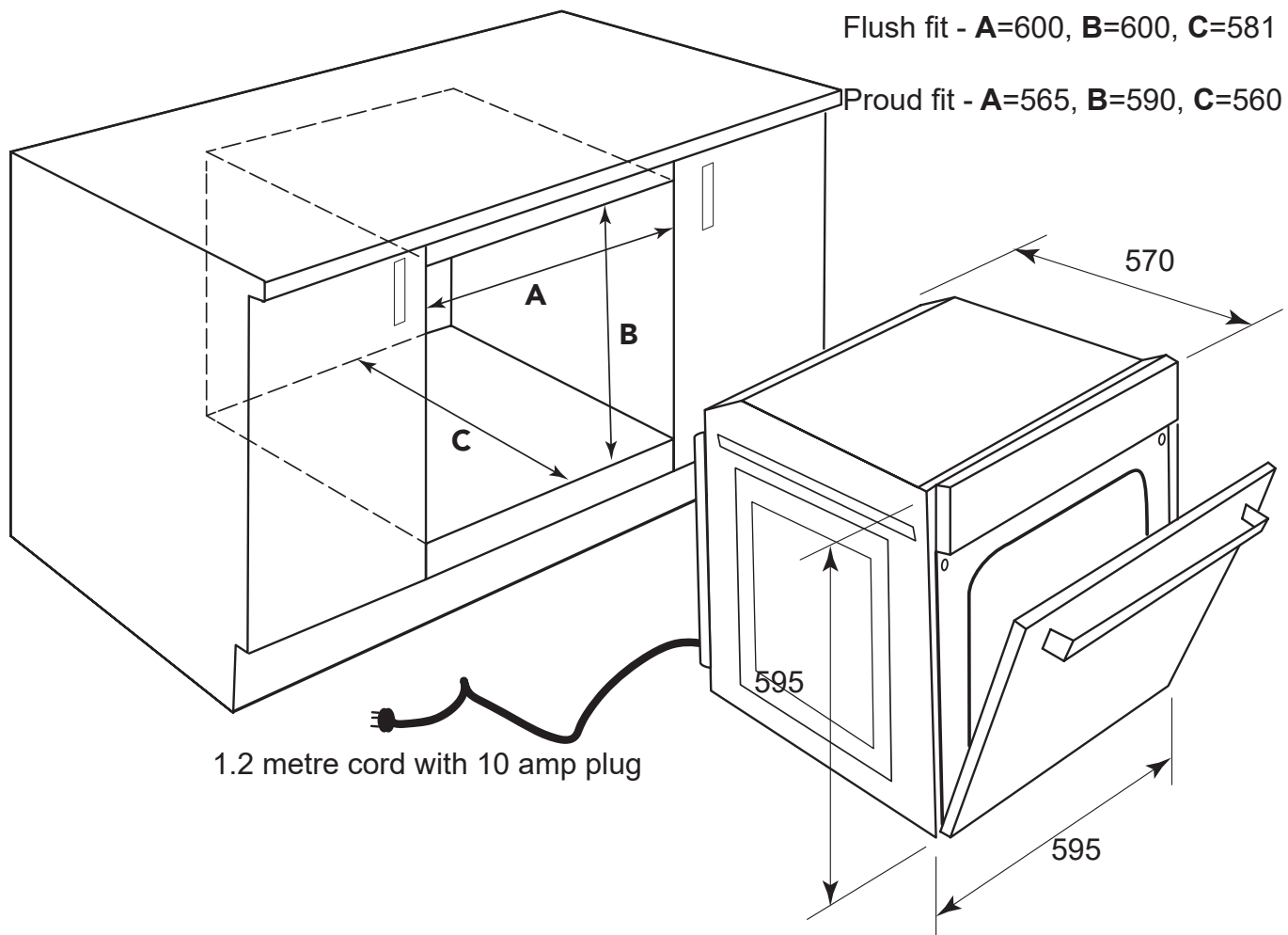
A full nationwide 3 Year Warranty applies.

Proof of purchase and proof of correct installation by a licensed installer is required for warranty service.

Call Glem Gas Australasia on 1 300 307 917 for details or send an email to [info@glemgas.com.au](mailto:info@glemgas.com.au) and we will respond promptly.

Flush fit - **A=600, B=600, C=581**

Proud fit - **A=565, B=590, C=560**



Please note:

Every effort has been made to ensure this information is correct. However, due to product improvement Glem reserves the right to make changes to products without prior notice.