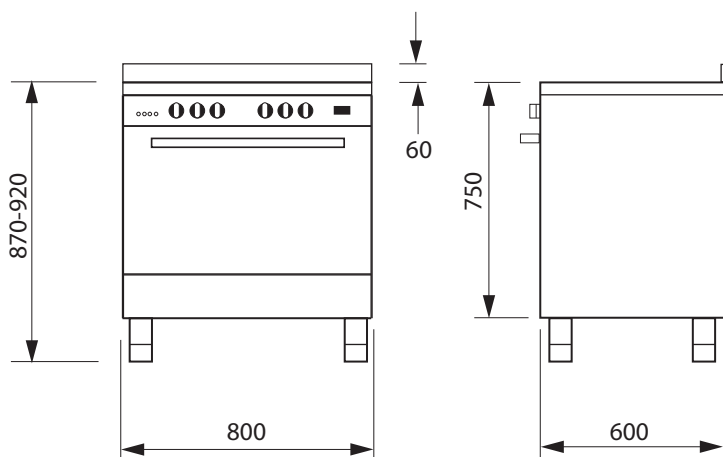


80cm DUAL FUEL STAINLESS STEEL COOKER

Model DI865EI4



Optional SS 140mm kickplate
available MAKP80



Functions and features

Flame failure safety devices to all burners

Multi Function Electric oven

5 burner gas cooktop

Cast iron trivets

116 litre oven

Oven internal dim = 670Wx370Hx410D

Automatic Electronic ignition

Digital clock (3 button)

Warming/storage compartment

Automatic Cooling fan

Titanium easy clean enamel

Click & slide inner door glass

Included:

2 wire racks

Grill tray with rack

LPG Conversion kit

Full metal door handle & double glass door

Removable oven side racks

Height adjustable stainless steel legs

2 YEAR WARRANTY

Made in Italy

Oven functions:

Fan forced

Classic Bake - top and bottom heat

Fan assisted - top and bottom with fan

Static grill

Fan assisted grill

Light

Megajoule ratings Natural Gas (LPG):

Wok burner 14.5 Mj/h (11.5)

Long burner 11.5 Mj/h (10.0)

2x Medium burner 7.0 Mj/h (6.0)

Small burner 4.0 Mj/h (3.5)

Total gas consumption 44.0 Mj/h (37.0)

Suitable for flexible hose gas connection

Maximum electrical consumption 2515W

Allow 5mm clearance to cupboards

15 amp electrical connection