



CK52UCF

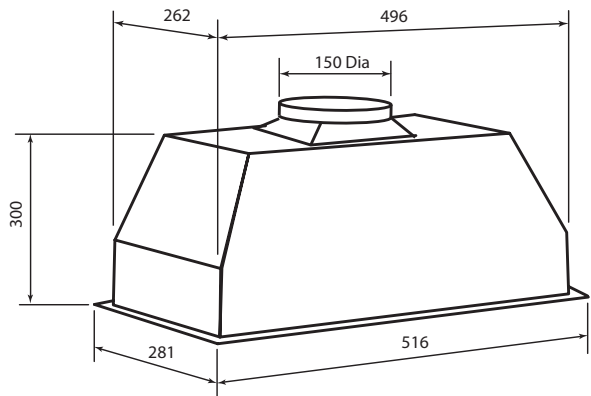
52cm Stainless Steel Under  
Cupboard Rangehood



## Model :CK52UCF

### Functions and features

- 52cm Under Cupboard rangehood
- 800 cubic meters per hour extraction
- 2 x LED low consumption lights
- 3 fan speeds
- PRO Stainless steel baffle filter
- Oil catchment system
- Electronic illuminated button control
- 2 year warranty
- Noise level 58dB



Please note:

Every effort has been made to ensure this information is correct. However, due to product make changes to products without prior notice. improvement Emilia Glem reserves the right to