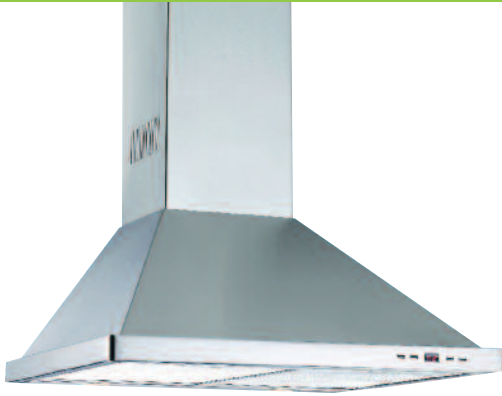




Rangehood Collection

 **EMILIA**  **GLEM**



CK60-U

60cm CANOPY

- 60cm wide
- Stainless steel construction
- 2 mesh filters – dishwasher safe
- 2 Halogen lights
- Electronic controls
- 700 cubic metre per hour extraction
- 3 speed fan
- Outlet diameter 150mm



CK60CG-U

60cm CURVED GLASS CANOPY

- 60cm wide
- Stainless steel construction
- 1 mesh filter – dishwasher safe
- 2 Halogen lights
- Electronic controls
- 700 cubic metre per hour extraction
- 3 speed fan
- Outlet diameter 150mm



CK90-U

90cm CANOPY

- 90cm wide
- Stainless steel construction
- 3 mesh filters – dishwasher safe
- 2 Halogen lights
- Electronic controls
- 700 cubic metre per hour extraction
- 3 speed fan
- LED digital speed controls
- Outlet diameter 150mm

Emilia Glem rangehoods meet the demands of today's kitchens and complement the extensive

The slide out rangehoods and our new under cupboard rangehoods allow for integration with cupboards for compact, urban living and streamlined commercial look that appeals to serious cooks. All rangehoods feature quality stainless steel construction and dishwasher safe filters, work

Undercupboard Rangehoods

52cm and 75cm Cabinet, Undercupboard single motor

CK53UC

- 52cm wide
- Stainless steel,
- 3 speeds
- 700 cubic metre per hour extraction
- Slide switch
- Twin incandescent lights
- Dishwasher proof mesh filter
- Perfect for installation above 60cm cooktops

CK75UC

- 75 cm wide
- Stainless steel
- 3 speeds
- 700 cubic metre per hour extraction
- Push button controls
- Twin halogen lights
- Dishwasher proof mesh filter
- Perfect for installation above 90cm cooktops

52cm and 75cm



NEW MODELS

Fixed Rangehoods

STD60

60cm FIXED RANGEHOOD

- 60cm wide
- Stainless steel construction
- Washable acrylic filter
- Single motor
- Single light
- 180 cubic metre per hour extraction
- 3 speed fan



WE ARE DEVELOPING NEW FLUE EXTENSIONS FOR



CK90FG-U

90cm FLAT GLASS CANOPY

- 90cm wide
- Stainless steel construction
- 2 mesh filters – dishwasher safe
- 2 Halogen lights
- Electronic controls
- 700 cubic metre per hour extraction
- 3 speed fan
- Outlet diameter 150mm

CK90CG-U

90cm CURVED GLASS CANOPY

- 90cm wide
- Stainless steel construction
- 2 mesh filters – dishwasher safe
- 2 Halogen lights
- Electronic controls
- 700 cubic metre per hour extraction
- 3 speed fan
- Outlet diameter 150mm

struction
 shwasher safe
 s
 er hour extraction
 display window
 50mm

range of Emilia and Glem cooking appliances.

eamlined, galley kitchens. For larger showpiece kitchens, the elegant canopy rangehoods provide high extraction capacity and a
 ing to minimise cooking odours and moisture build up in the home.

Slide Out Rangehoods

CKS61MXI

60cm SLIDE OUT RANGEHOOD

- 60cm wide
- Stainless steel construction
- Twin lights
- Twin motor
- 400 cubic metre per hour extraction
- 3 speed
- Washable metal filters

GGFR600SSC

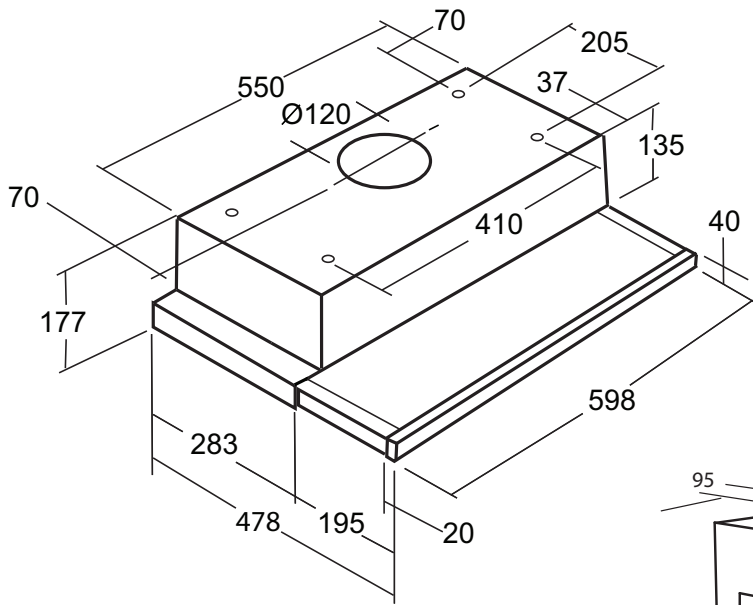
60cm RECIRCULATING SLIDE OUT RANGEHOOD

- 60cm wide
- 80mm Stainless steel front rail
- Recirculating installation
- 385 cubic metre per hour extraction
- 2 speed



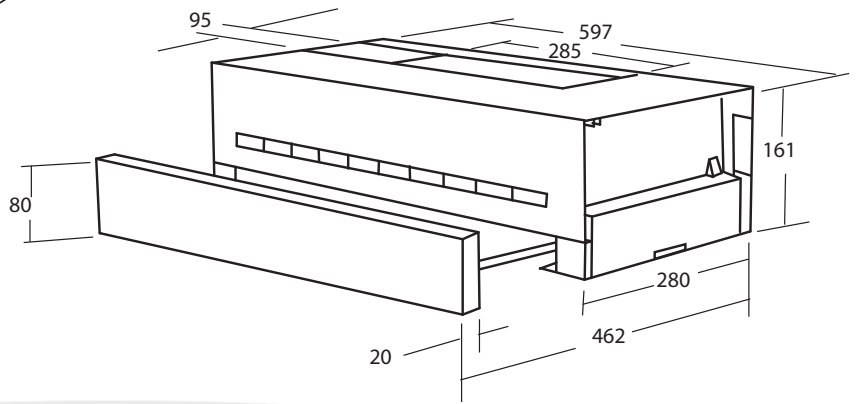
OUR RANGEHOODS TO SUIT HIGH CEILINGS. PLEASE VISIT www.glem.com

Rangehood Dimensions

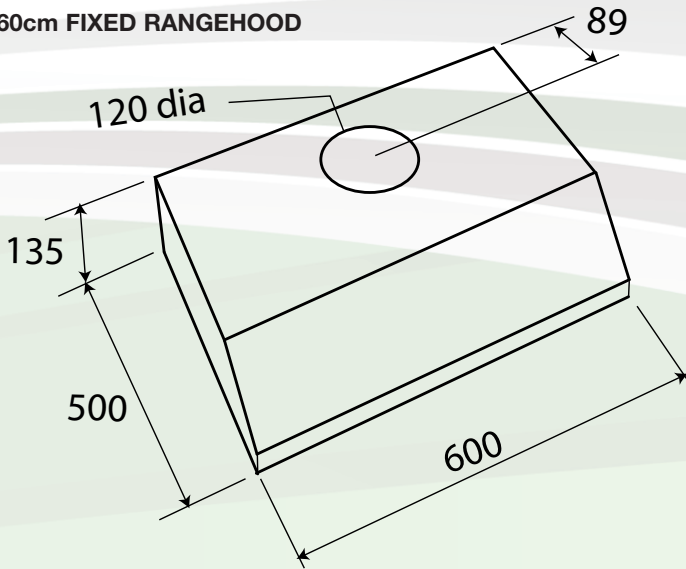


CKS61MXI
60cm SLIDE OUT RANGEHOOD

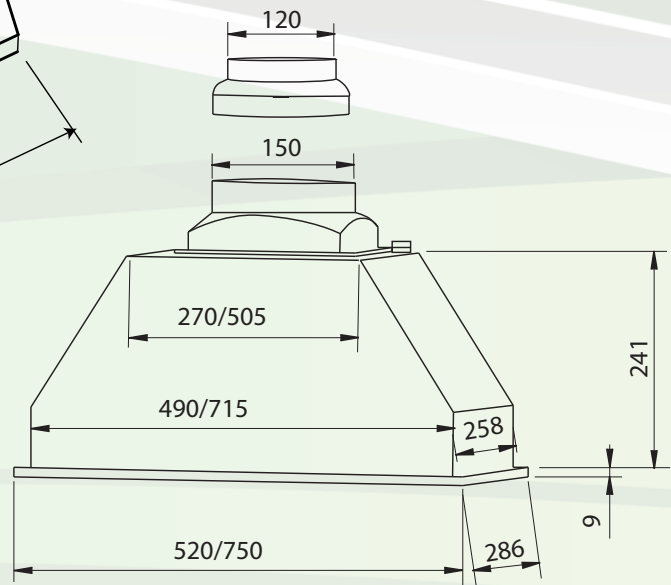
GGFR600SSC
60cm RECIRCULATING
SLIDE OUT



STD60
60cm FIXED RANGEHOOD



CK53UC and CK75UC
53cm and 75cm Cabinet
Undercupboard single motor

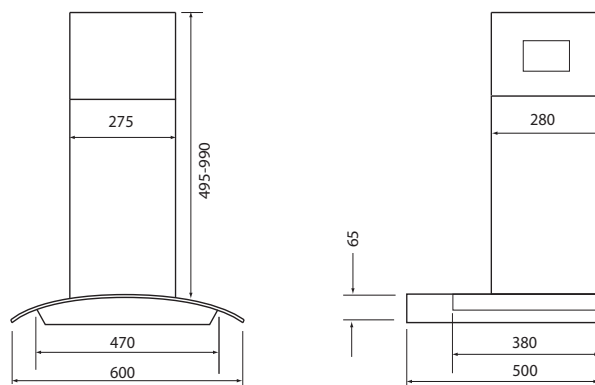


Emilia Glem rangehoods have been designed for ease of installation. We strongly recommend the use of a qualified installer.

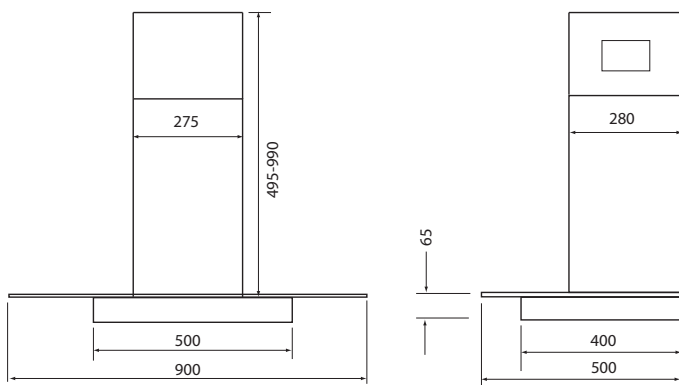
Please give us a call on 1300 307 917 if you need assistance.

Emilia Glem rangehoods can be installed above any brand of cooker or cooktop. Emilia Glem rangehoods carry no external branding. No branding allows you to freely select your other appliances knowing that the rangehood will coordinate with whatever you choose.

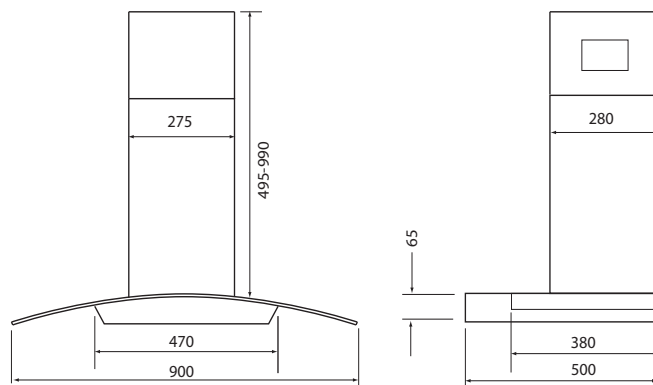
CK60CG-U
60cm CURVED GLASS CANOPY



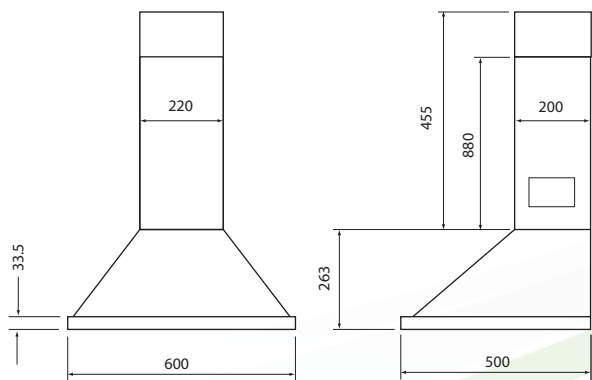
CK90FG-U
90cm FLAT GLASS CANOPY



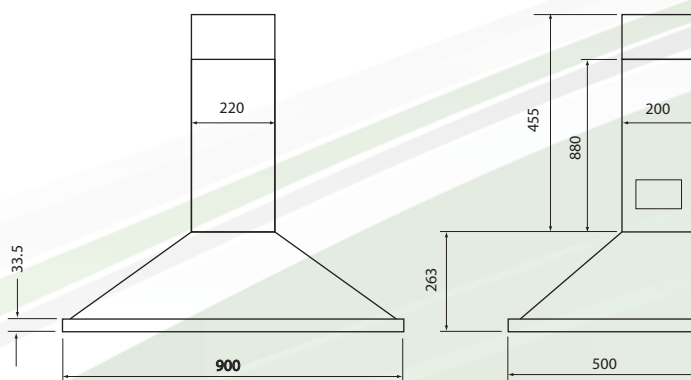
CK90CG-U
90cm CURVED GLASS CANOPY



CK60-U
60cm CANOPY



CK90-U
90cm CANOPY





Meeting the demands
of today's kitchens

Glem Gas Australasia Pty Ltd

Unit 26, 10 Straits Avenue, South Granville, NSW 2142

PO BOX 63 Blaxcell PO, South Granville, NSW 2142

Telephone: (02) 9721 2755

Facsimile: (02) 9721 2766 info@glemgas.com.au

www.emiliaglem.com.au

Local charge 1 300 307 917



The descriptions and images in this brochure apply to the specific products at the date of publication. Glem Gas has a policy of continuous product development and product specifications may change without notice. Please check with the retailer that this brochure correctly describes the products that are being offered for sale. Glem Gas should not be held responsible for any errors in this brochure caused by inaccuracy in printing or transcription.

Warranty Glem products are covered by a two year warranty, on parts and labour and conditional to our Warranty policy. **Service** Glem Gas has an Australia wide service network available. Call 02 9721 2755 for assistance.