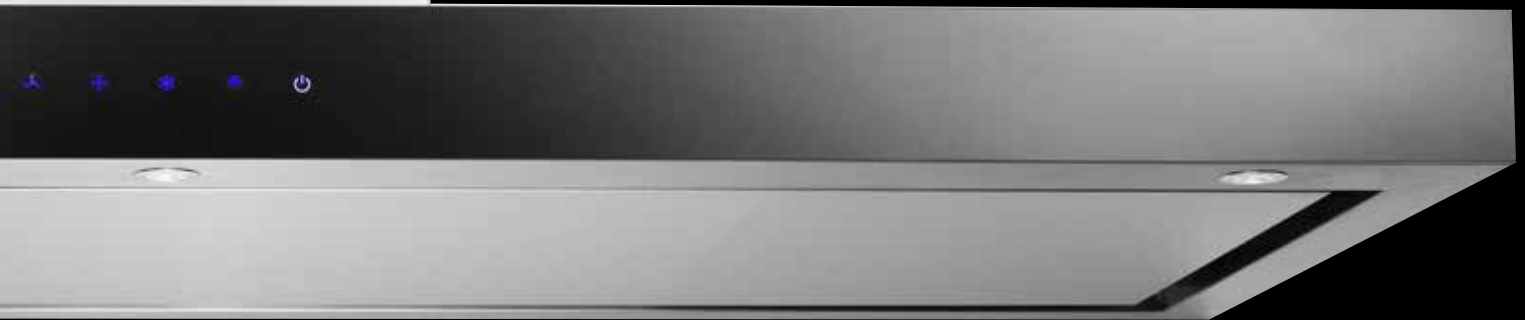


On Board & Off Board Rangehood Collections.



Featuring the new

QUIETAIR TM
OFF BOARD RANGEHOOD SOLUTIONS BY GLEM

There's nothing quite like the kitchen. It's a meeting place, a place to excel, a place to relax, a place to share. A true comfort.



EMILIA



GLEM

Rangehood Selection Tips.

On Board or Off Board Fan Motor

Quiet Air rangehoods have the advantage of almost totally silent operation. The fan motor is “Off Board” which means that it is located in the ceiling cavity. In apartments or homes without a space above the ceiling Quiet Air rangehoods cannot be used. The Air Friendly On Board range is designed for all installation applications.

Size and design

Try to always select a rangehood that is at least as wide as your cooktop. Your cooking style should be considered, for example stir frying requires a higher rate of air extraction.

Stainless steel baffle filters

This design of filter not only looks good but they catch and hold the moisture in the air stopping it dripping back into your cooking. They are ideal for use over induction cooktops.

LED lights

LED lights have extremely low electricity consumption and are very durable. They are not only perfect for illuminating the cooking process but they provide subtle lighting of the kitchen.

Ducting

It's important that your rangehood has the right ducting to allow the exhaust to be efficiently expelled to the outside. Your choice of ducting impacts the noise of the rangehood and how well it operates.

Solid or semi rigid ducting works best but can be harder to install. We don't recommend non laminated foil ducting as it leads to increases in noise and losses in efficiency. We supply laminated flexible ducting for the Quiet Air rangehoods.

Recirculating

When a rangehood is installed in recirculating mode (which means it is not ducted to the outside) carbon filters are used to remove cooking odours. The carbon filters need to be replaced on a regular basis. **Quiet Air rangehoods cannot be recirculated.**

High ceilings

Contact us on 1300 307 917 and ask for After Sales Service to check on the availability of extension chimneys (shrouds) to suit higher ceilings.

Index.

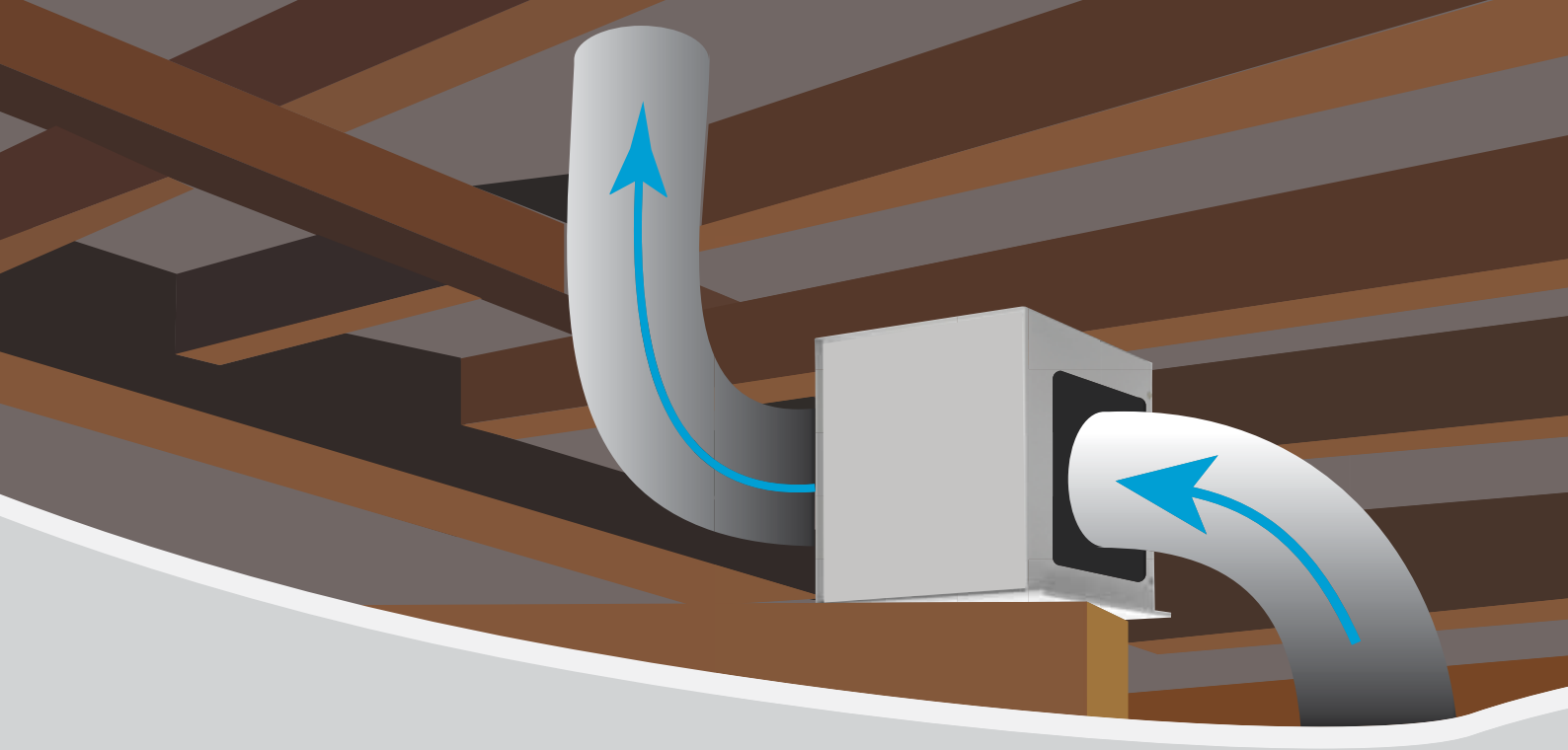


Off Board Rangehood Collection 4

90cm Slim Line Canopy	6
85cm Under Mount Rangehood	7
90cm Square Line Canopy	8
120cm Square Line Canopy	9

Air Friendly On Board Rangehood Collection 10

120cm Flat Canopy	10
90cm Flat Canopy	11
90cm Curved Glass Canopy	11
60cm Curved Glass Canopy	12
90cm Flat Glass Canopy	12
90cm Canopy	13
60cm Canopy	13
75cm Undercupboard	14
53cm Undercupboard	14
60cm Slide Out	15
60cm Fixed	15



Takes the noise out of the kitchen

Open plan living makes the kitchen more than a food preparation zone and a noisy rangehood is an unwelcome intrusion. Glem Quiet Air rangehoods are silent. Just the quiet sound of air flowing through the filters.

Suitable for easy installation in any home that has a ceiling space above the kitchen.



Powerful Extraction

1200m³ of air is extracted per hour. All models. This is not by chance, we know that this is a great extraction rate to use in Australian kitchens.



Led Lighting

LED lights with a total consumption of 6W. Bright, efficient and long lasting.



Stainless Steel Filters

Stainless steel baffle filters last a lifetime and are dishwasher safe for easy cleaning. They catch excess moisture from the cooking process and stop it dripping back into the food.



Perimeter Extraction

On the flat rangehood models, the "T Bars", we use perimeter extraction to increase the area of extraction over the cooking area. The stainless steel plate hinges down to provide access to the mesh filters above. Easy to clean, beautiful and stylish.



Ease of Installation

Installation fittings are included. All that is required are some tools, duct tape and expertise. The ceiling space installation stops the need to clamber around on the roof. We don't supply the external vent because every house is different.



Service

Quiet Air rangehoods benefit from the National Service program of Glem Gas Australasia Pty. Ltd. There is always a Service Agent when you need one.

Off Board Rangehood Collection

90cm Slim Line Canopy.

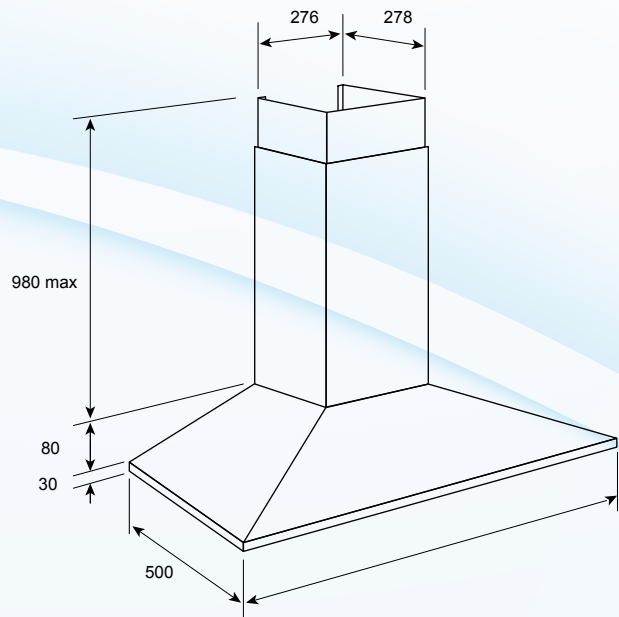


GQA90SC



Functions and Features

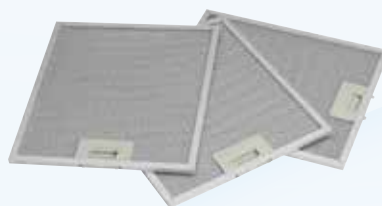
- 1200 cubic metres per hour extraction
- Ceiling cavity motor for silent operation
- Low consumption LED lights x 3
- Outlet diameter 150 mm
- 3 Speed fan
- 3 dishwasher safe stainless steel filters
- 2 year warranty
- Ready to go. Easy to install.



Complimentary Accessories



Filter hinge safety system



Mesh filter option included

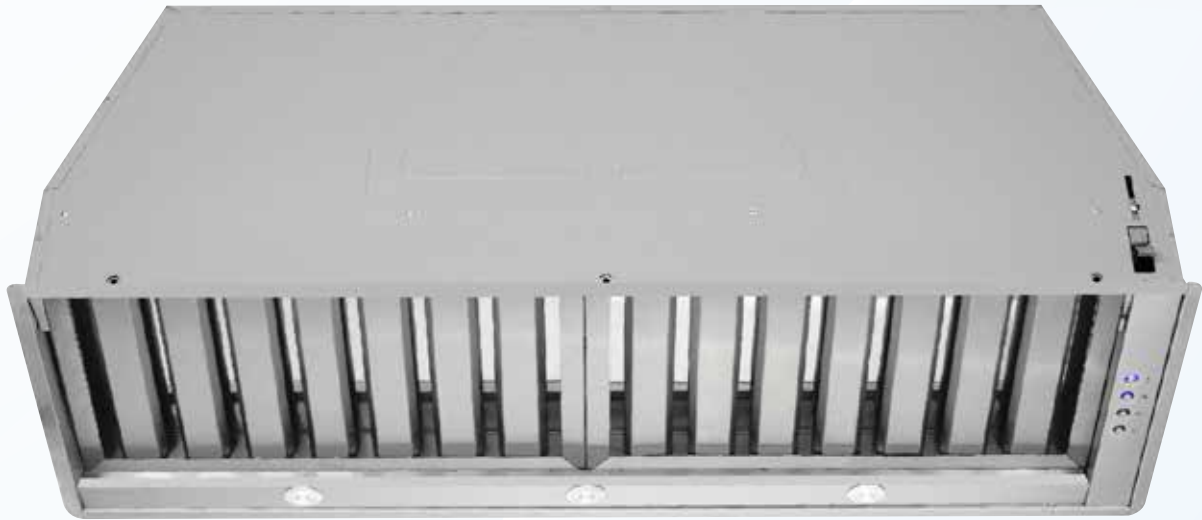


Full installation kit included

85cm Under Mount Rangehood.

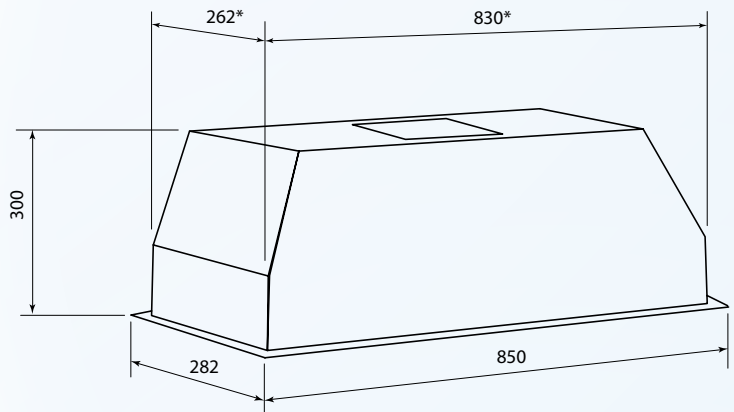


GQA85UC



Functions and Features

- 1200 cubic metres per hour extraction
- Ceiling cavity motor for silent operation
- Low consumption LED lights x 3
- Outlet diameter 150 mm
- 3 Speed fan
- 2 dishwasher safe stainless steel filters
- Oil collection tray
- 2 year warranty
- Ready to go. Easy to install.



* allow 5mm clearance for installation



Complimentary Accessories



Full installation kit included

Off Board Rangehood Collection

90cm Square Line Canopy.

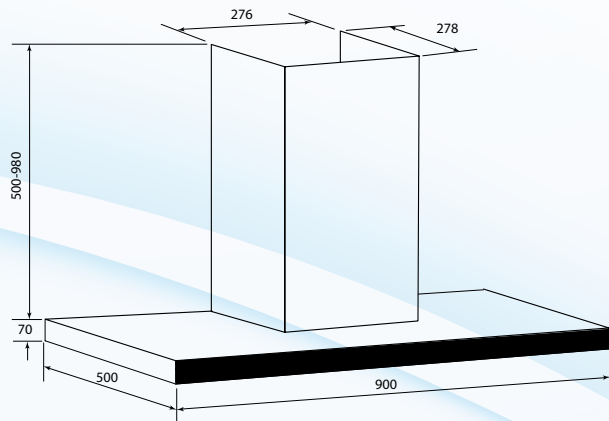


GQA90TB



Functions and Features

- 1200 cubic metres per hour extraction
- Ceiling cavity motor for silent operation
- Low consumption LED lights x 3
- Outlet diameter 150 mm
- 3 Speed fan
- Perimeter filtration system
- 2 year warranty
- Ready to go. Easy to install.



Complimentary Accessories



Filter hinge safety system



Full installation kit included

120cm Square Line Canopy.

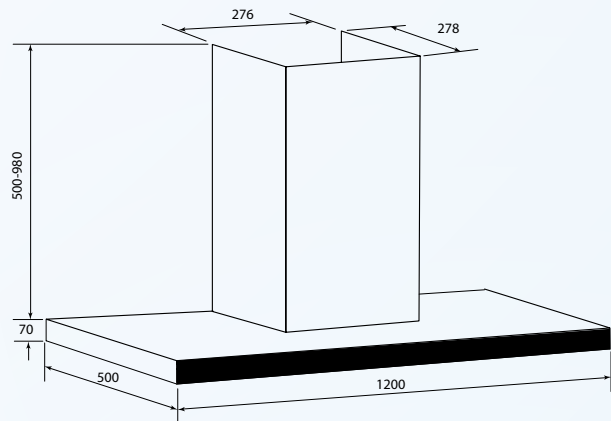


GQA120TB



Functions and Features

- 1200 cubic metres per hour extraction
- Ceiling cavity motor for silent operation
- Low consumption LED lights x 3
- Outlet diameter 150 mm
- 3 Speed fan - easy clean touch controls
- Perimeter filtration system
- 2 year warranty
- Ready to go. Easy to install.



Complimentary Accessories



Filter hinge safety system



Full installation kit included

Rangehoods for today's kitchen.

Emilia Glem rangehoods meet the demands of today's kitchens and complement the extensive range of Emilia and Glem Cooking appliances. The slide out rangehoods and our under mount rangehoods allow for integration with cupboards for compact, urban living and streamlined galley kitchens. For larger showpiece kitchens, the elegant canopy rangehoods provide high extraction capacity and a commercial look that appeals to serious cooks. All rangehoods feature quality stainless steel construction and dishwasher safe filters.



Low consumption LED lighting



Stainless Steel baffle filters

120cm Flat Canopy.

CK120BTBF

120cm wide

Stainless steel construction

800 cubic metre per hour extraction

3 speed fan

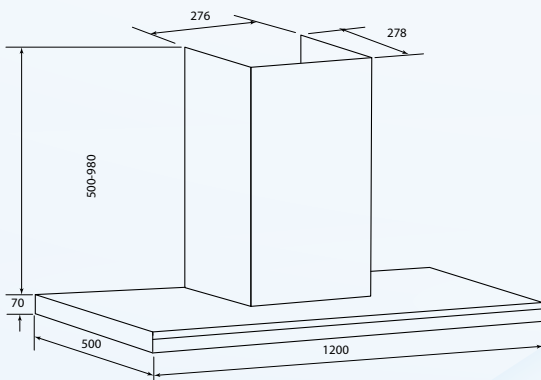
Touch controls

Twin LED lights

Outlet diameter 150mm

Noise Rating - db 55

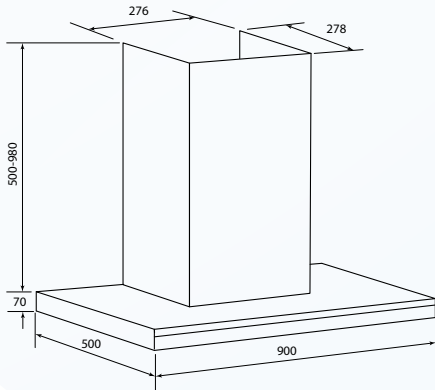
Can be recirculated



90cm Flat Canopy.

CK90TBTF

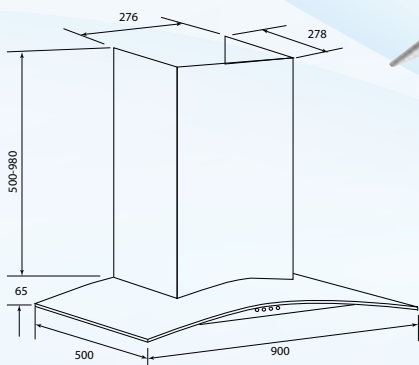
- 90cm wide
- Stainless steel construction
- 800 cubic metre per hour extraction
- 3 speed fan
- Touch controls
- Twin LED lights
- Outlet diameter 150mm
- Noise Rating - db 58
- Can be recirculated



90cm Curved Glass Canopy.

CK90CGLBF

- 90cm wide
- Stainless steel construction
- 800 cubic metre per hour extraction
- 3 speed fan
- Electronic controls
- Twin LED lights
- Outlet diameter 150mm
- Noise Rating - db 59
- Can be recirculated



On Board Rangehood Collection

60cm Curved Glass Canopy.

CK60CGLBF

60cm wide

Stainless steel construction

800 cubic metre per hour extraction

3 speed fan

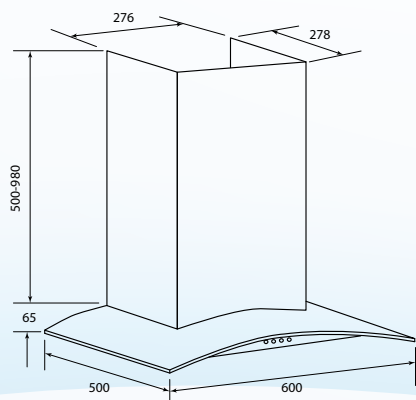
Electronic controls

Twin LED lights

Outlet diameter 150mm

Noise Rating - db 59

Can be recirculated



90cm Flat Glass Canopy.

CK90FGLBF

90cm wide

Stainless steel construction

800 cubic metre per hour extraction

3 speed fan

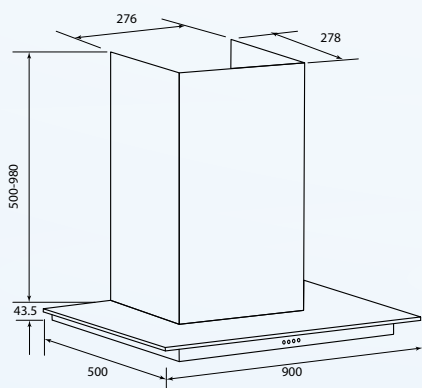
Electronic controls

Twin LED lights

Outlet diameter 150mm

Noise Rating - db 59

Can be recirculated



90cm Canopy.

CK90LBF

90cm wide

Stainless steel construction

800 cubic metre per hour extraction

3 speed fan

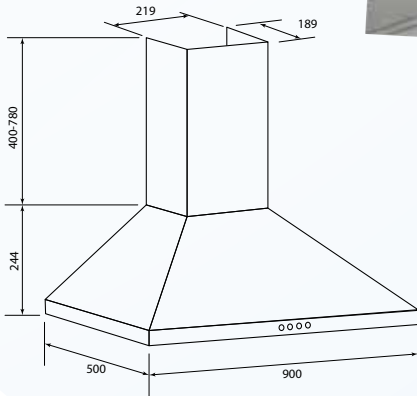
Electronic controls

Twin LED lights

Outlet diameter 150mm

Noise Rating - db 59

Can be recirculated



60cm Canopy.

CK60LBF

60cm wide

Stainless steel construction

800 cubic metre per hour extraction

3 speed fan

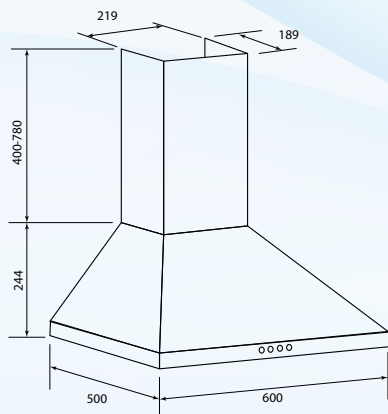
Electronic controls

Twin LED lights

Outlet diameter 150mm

Noise Rating - db 60

Can be recirculated



On Board Rangehood Collection

75cm Undercupboard.

Perfect for a 90cm cooktop.

CK75UCF

75cm wide

Stainless steel construction

700 cubic metre per hour extraction

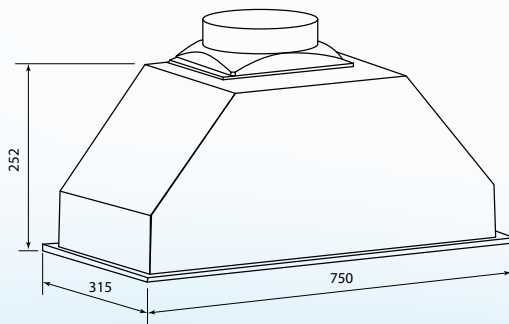
3 speed fan

Push button controls

Twin square LED lights

Outlet diameter 120mm

Noise Rating - db 58



53cm Undercupboard.

Perfect for a 60cm cooktop.

CK53UCF

53cm wide

Stainless steel construction

700 cubic metre per hour extraction

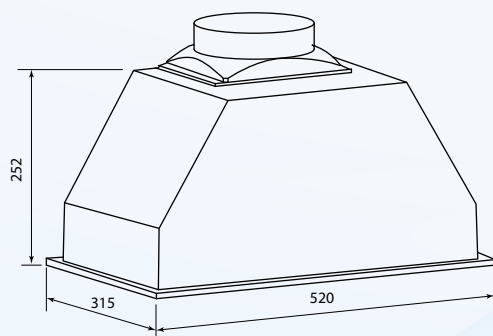
3 speed fan

Push button controls

Twin square LED lights

Outlet diameter 120mm

Noise Rating - db 58





60cm Slide Out.

CK60SLF

Ducted only

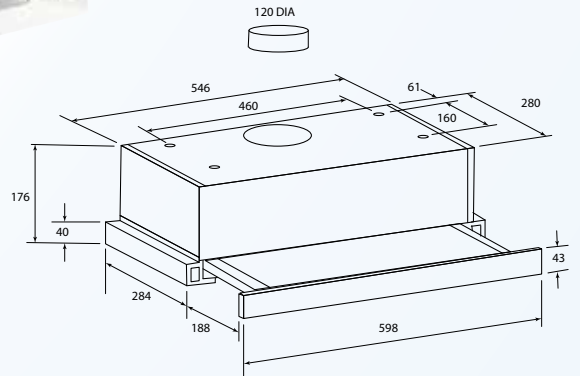
- 60cm wide
- Stainless steel construction
- 320 cubic metre per hour extraction
- 2 speed fan
- Twin square LED lights
- Outlet diameter 120mm
- Noise Rating - db 43



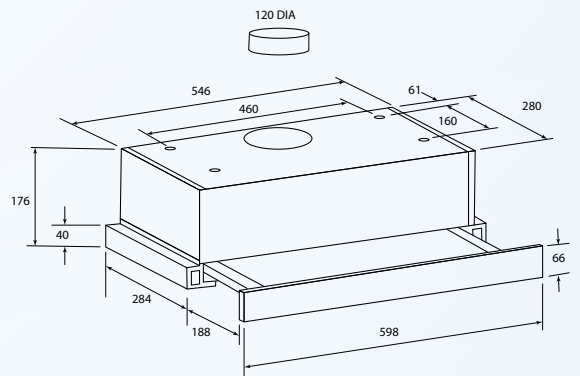
CK60FRF

Recirculated

- 60cm wide
- Stainless steel construction
- 210 cubic metre per hour extraction
- 2 speed fan
- Twin square LED lights
- Outlet diameter 120mm
- Noise Rating - db 55



CK60SLF - 43mm high frontbar



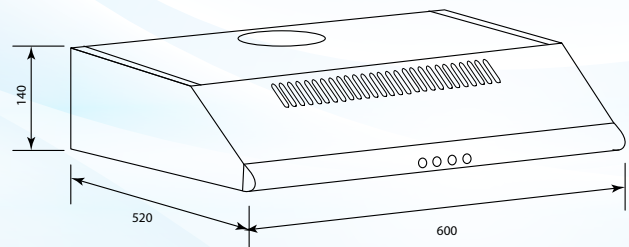
CK60FRF - 66mm high frontbar

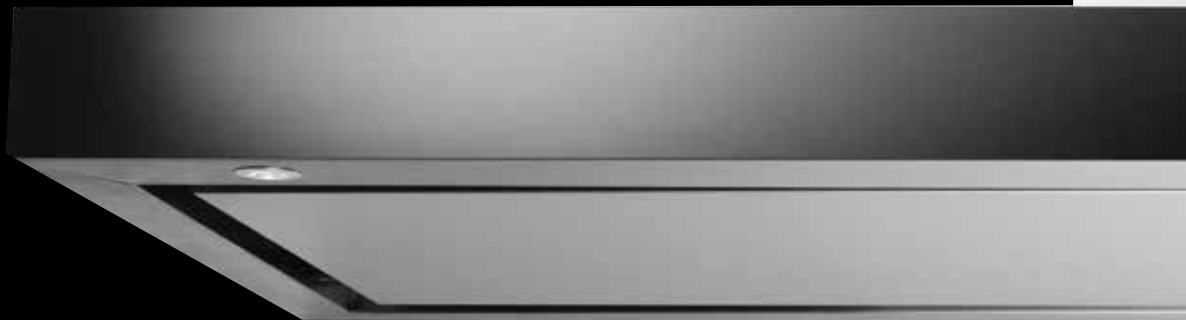


60cm fixed.

CK60FXF

- 60cm wide
- Stainless steel construction
- 210 cubic metre per hour extraction
- 3 speed fan
- Outlet diameter 120mm
- Noise Rating - db 54





EMILIA



GLEM

Glem Gas Australasia Pty Ltd

48 Percy Street, Auburn NSW 2144 | PO BOX 63 Blaxcell PO, South Granville, NSW 2142

Telephone: (02) 9721 2755 | Facsimile: (02) 9721 2766 info@glemgas.com.au | www.emiliaglem.com.au | Local charge 1 300 307 917

The descriptions and images in this brochure apply to the specific products at the date of publication. Glem Gas has a policy of continuous product development and product specifications may change without notice. Please check with the retailer that this brochure correctly describes the products that are being offered for sale. Glem Gas should not be held responsible for any errors in this brochure caused by inaccuracy in printing or transcription. All images used in the brochure are for illustrative purposes only.

Warranty: Glem products are covered by a two year warranty, on parts and labour and conditional to our Warranty policy.

Service: Glem Gas has an Australia wide service network available. Call 02 9721 2755 for assistance.