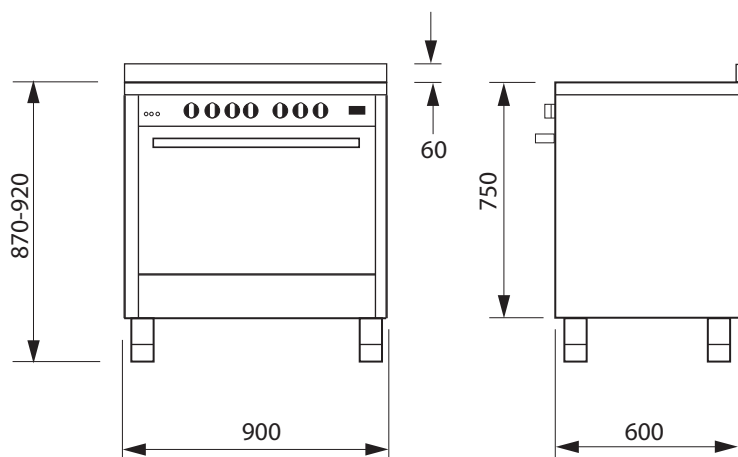


# 90cm DUAL FUEL STAINLESS STEEL COOKER

## Model DI965EI4



Optional SS 140mm kickplate  
available MAKP90



### Functions and features

Flame failure safety devices to all burners

Multi Function Electric oven

5 burner gas cooktop

Cast iron trivets

116 litre oven

Oven internal dim = 670Wx370Hx410D

Automatic Electronic ignition

Digital clock (3 button)

Warming/storage compartment

Automatic Cooling fan

Titanium easy clean enamel

Click & slide inner door glass

#### Included:

2 wire racks

Grill tray with rack

LPG Conversion kit

Full metal door handle & double glass door

Removable oven side racks

Height adjustable stainless steel legs

2 YEAR WARRANTY

Made in Italy

#### Oven functions:

Fan forced

Classic Bake - top and bottom heat

Fan assisted - top and bottom with fan

Static grill

Fan assisted grill

Light

#### Megajoule ratings Natural Gas (LPG):

Wok burner 14.5 Mj/h (11.5)

Large burner 11.5 Mj/h (10.0)

2x Medium burner 7.0 Mj/h (6.0)

Small burner 4.0 Mj/h (3.5)

Total gas consumption 44.0 Mj/h (37.0)

Allow 5mm clearance to cupboards

Suitable for flexible hose gas connection

Maximum electrical consumption 2515W

15 amp electrical connection

Emilia should not be held responsible for any errors in this data sheet caused by inaccuracy in printing or transcription. Check with the retailer that this data sheet correctly describes the products that are being offered for sale. Emilia has a policy of continuous product development and product specifications may change without notice. The descriptions and images in this data sheet apply to the specific product at the date of publication.